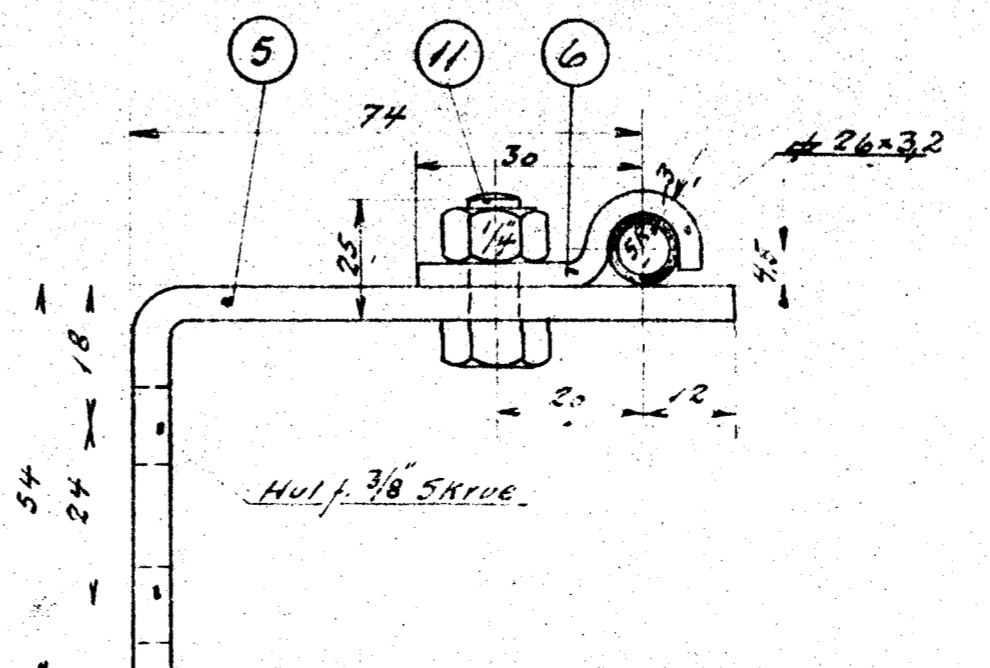
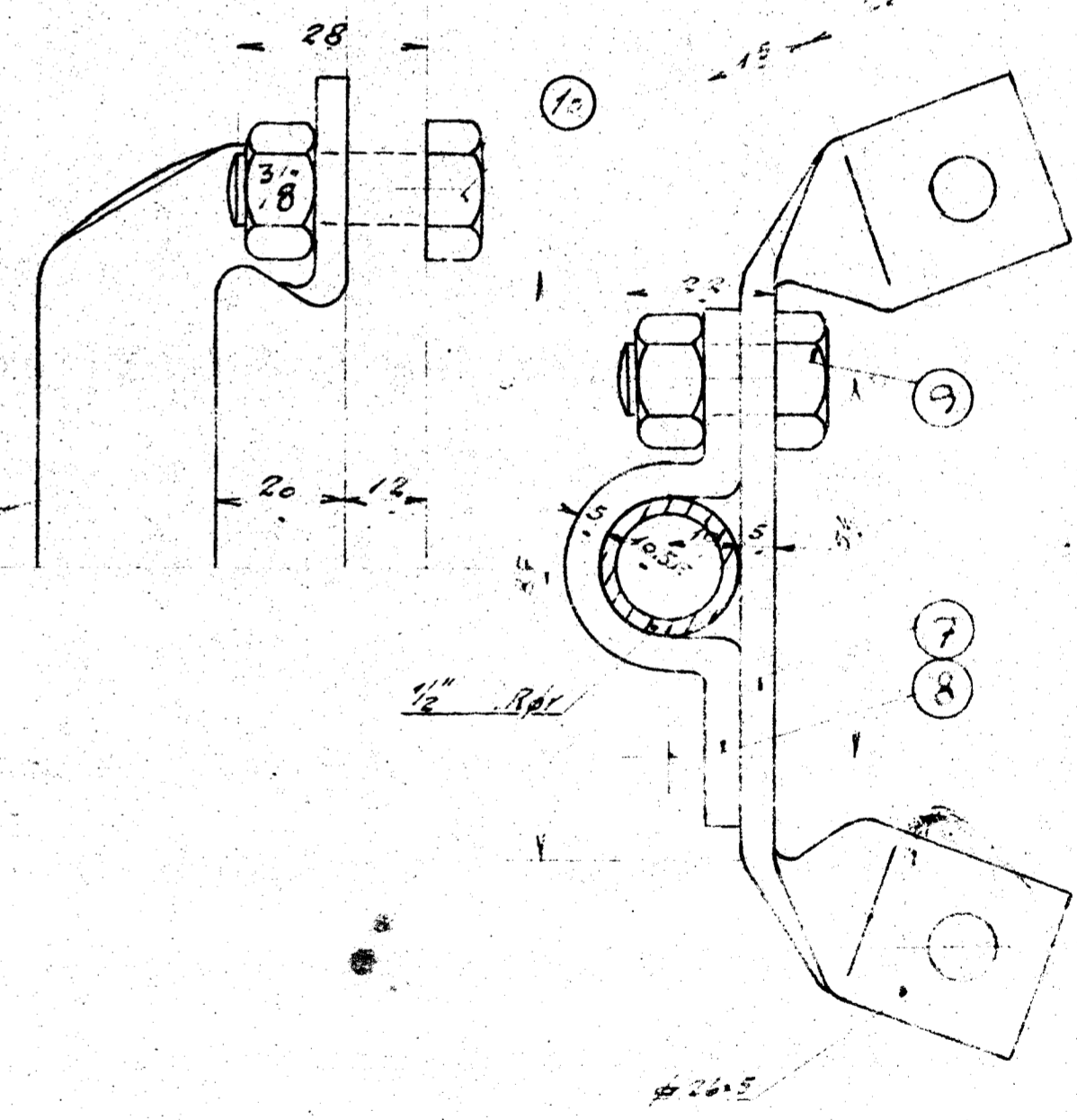
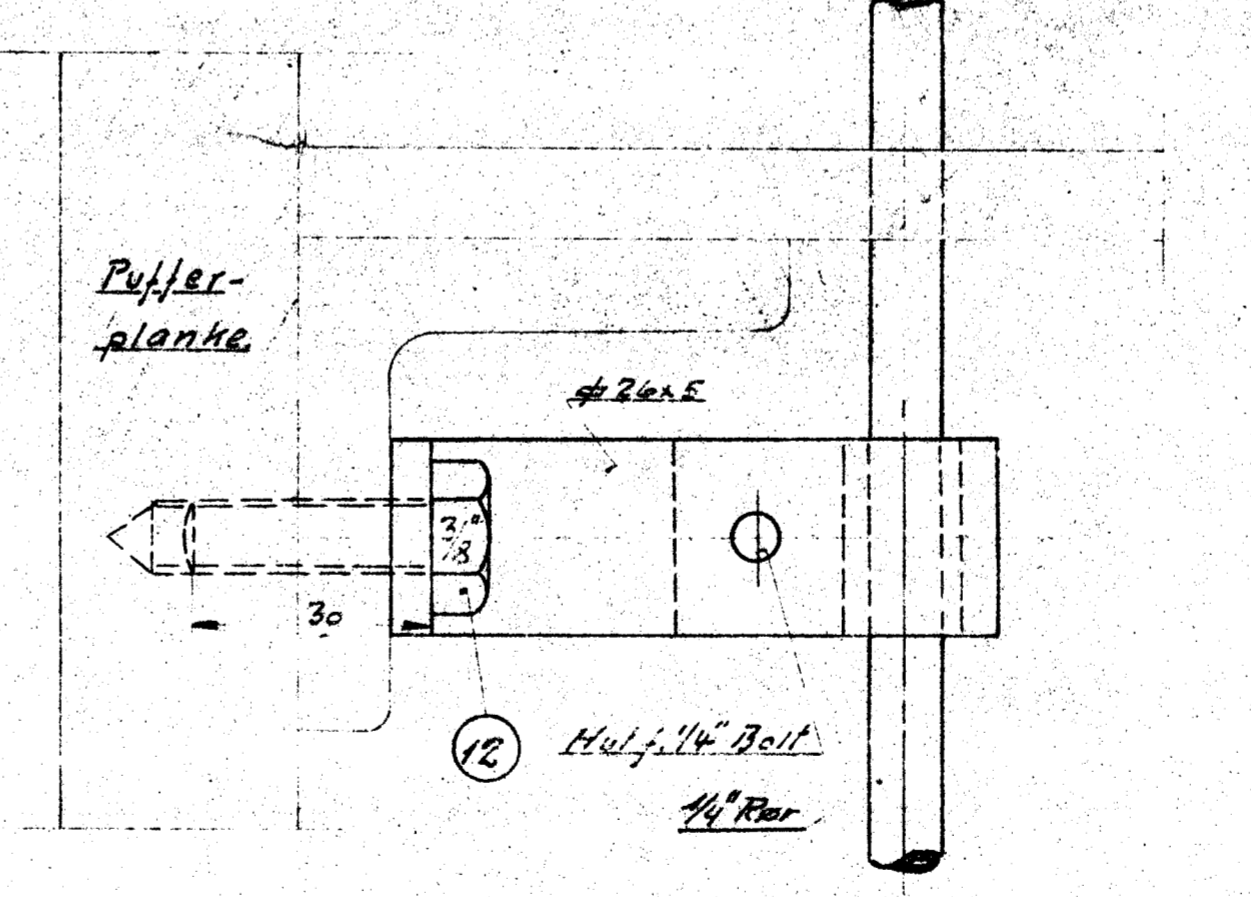
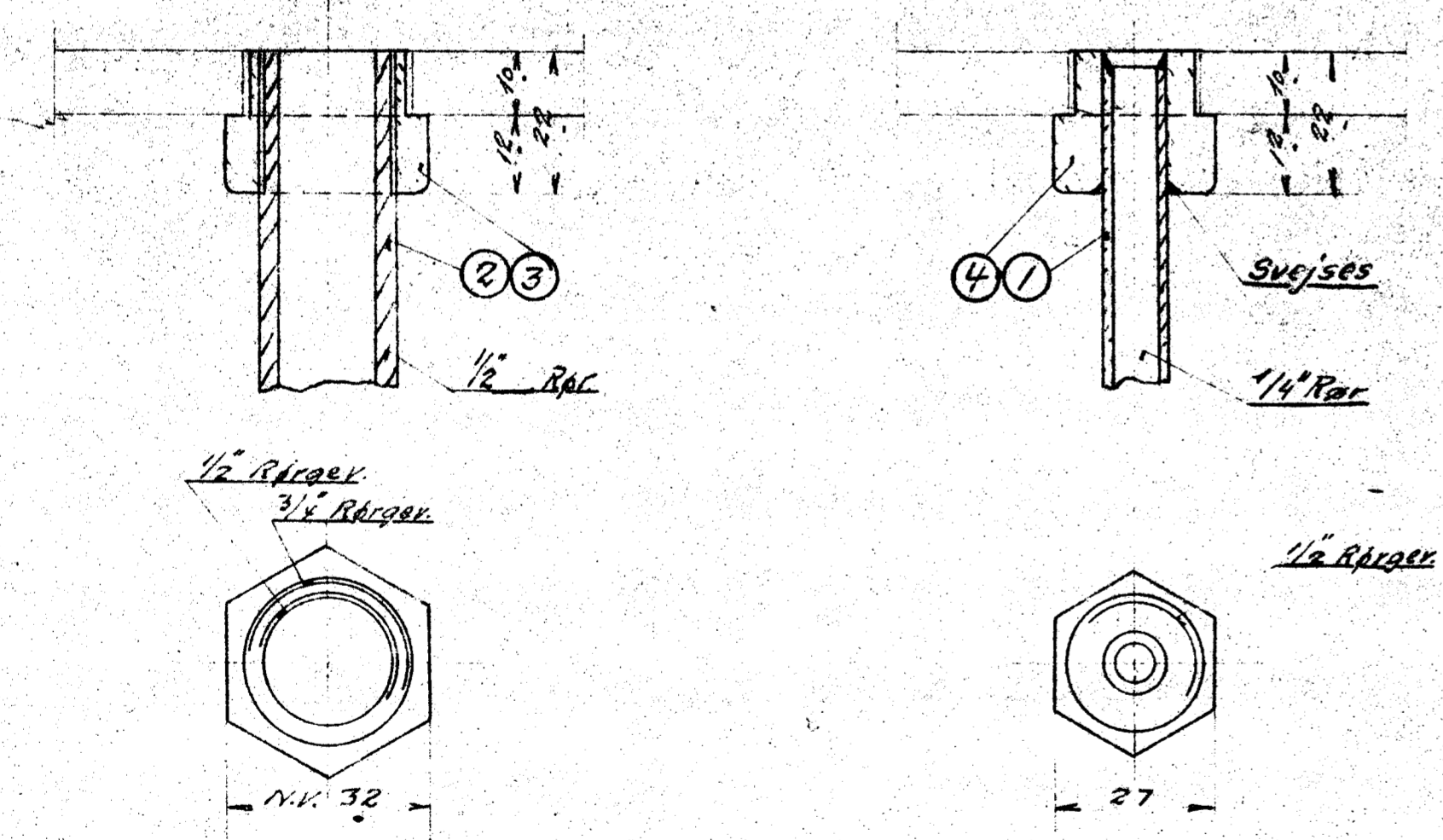
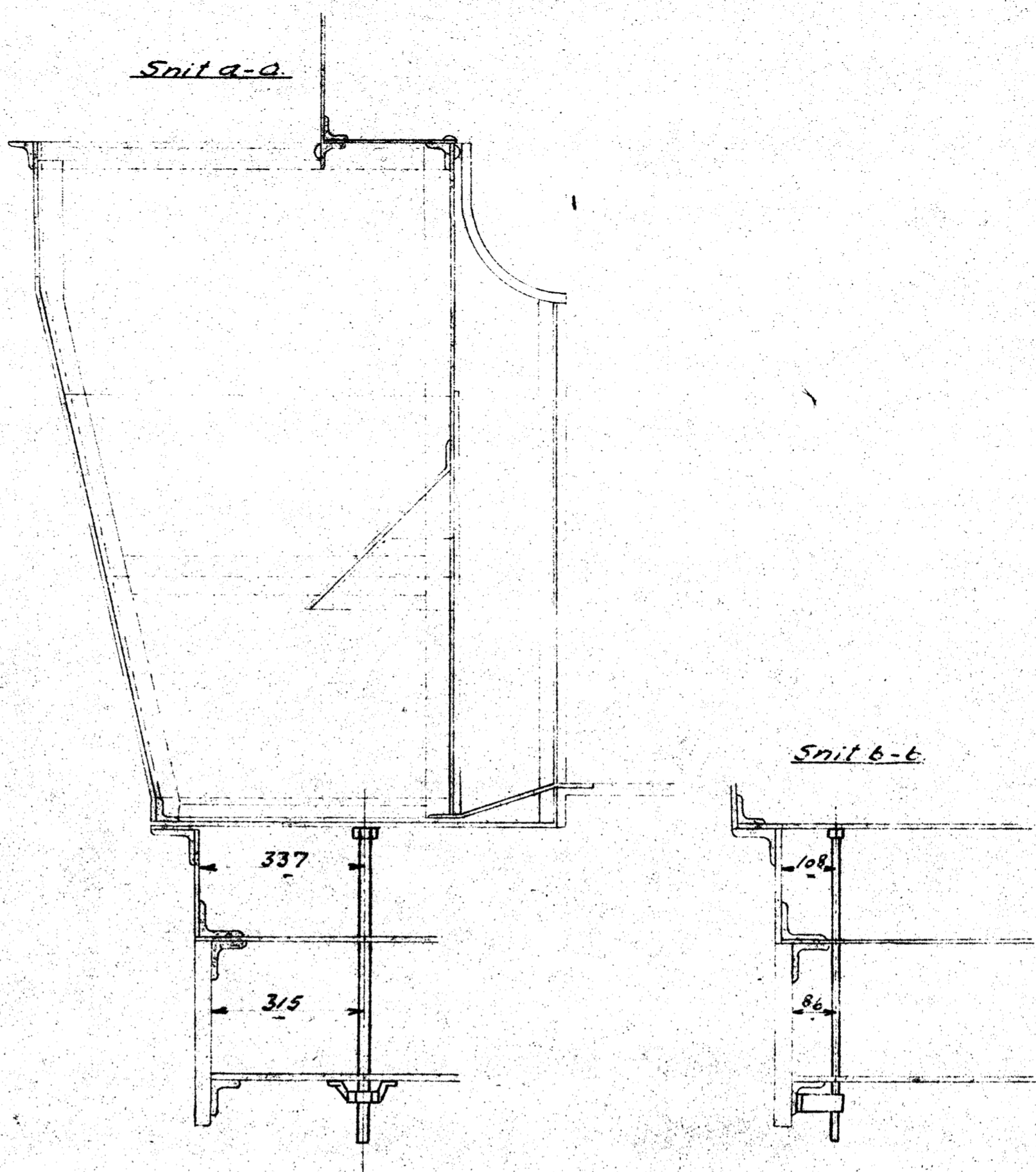
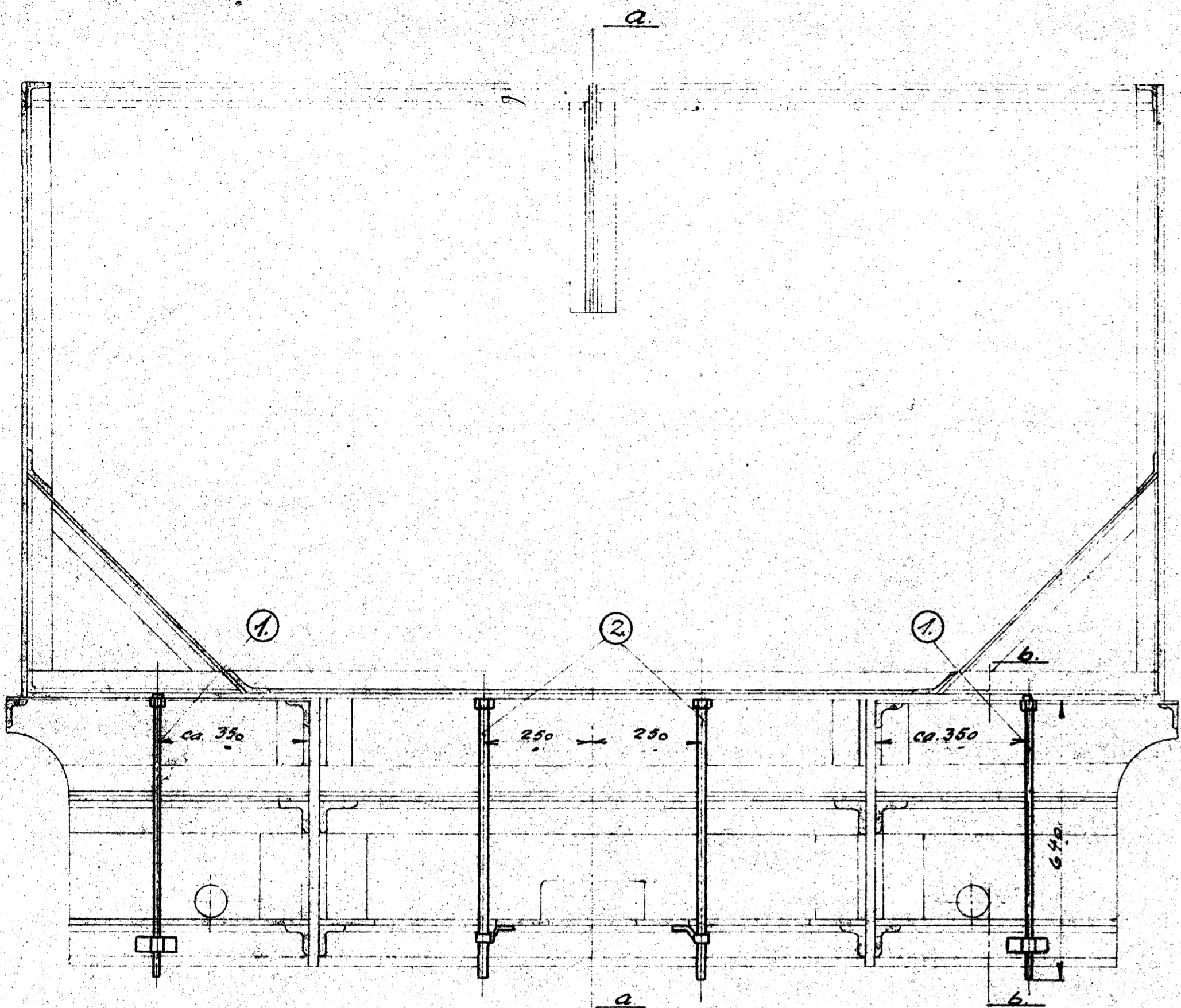


42315.

|    |   |   |                 |         |
|----|---|---|-----------------|---------|
| 1  | 2 | Rør $\frac{85}{15} \times 640$            | Svovels Jernrør | 14 1/2" |
| 2  | 2 | do. 1 1/2" Rør                            | "               | 12"     |
| 3  | 2 | Forskrønning                              | Fluss           | 32"     |
| 4  | 2 | do.                                       | "               | 27"     |
| 5  | 2 | Rørholder                                 | "               | 14"     |
| 6  | 2 | do.                                       | "               | 14"     |
| 7  | 2 | do.                                       | "               | 14"     |
| 8  | 2 | do.                                       | "               | 14"     |
| 9  | 7 | Flad Bolt $\frac{3}{8} \times 22$ " " " " | "               | 14"     |
| 10 | 4 | " " " " $\frac{3}{8} \times 28$ " " " "   | "               | 14"     |
| 11 | 2 | " " " " $\frac{1}{4} \times 25$ " " " "   | "               | 14"     |
| 12 | 4 | Skruer $\frac{3}{8} \times 25$ " " " "    | "               | 14"     |



MAALESTOK TEGN Frichs  
 1:10 Nr. 9L-16610  
 1:1 Indr. Dato

Afvanding af Kulkasse. Q<sub>II</sub> 16.610  
 D = Tændeløkke, Litra P